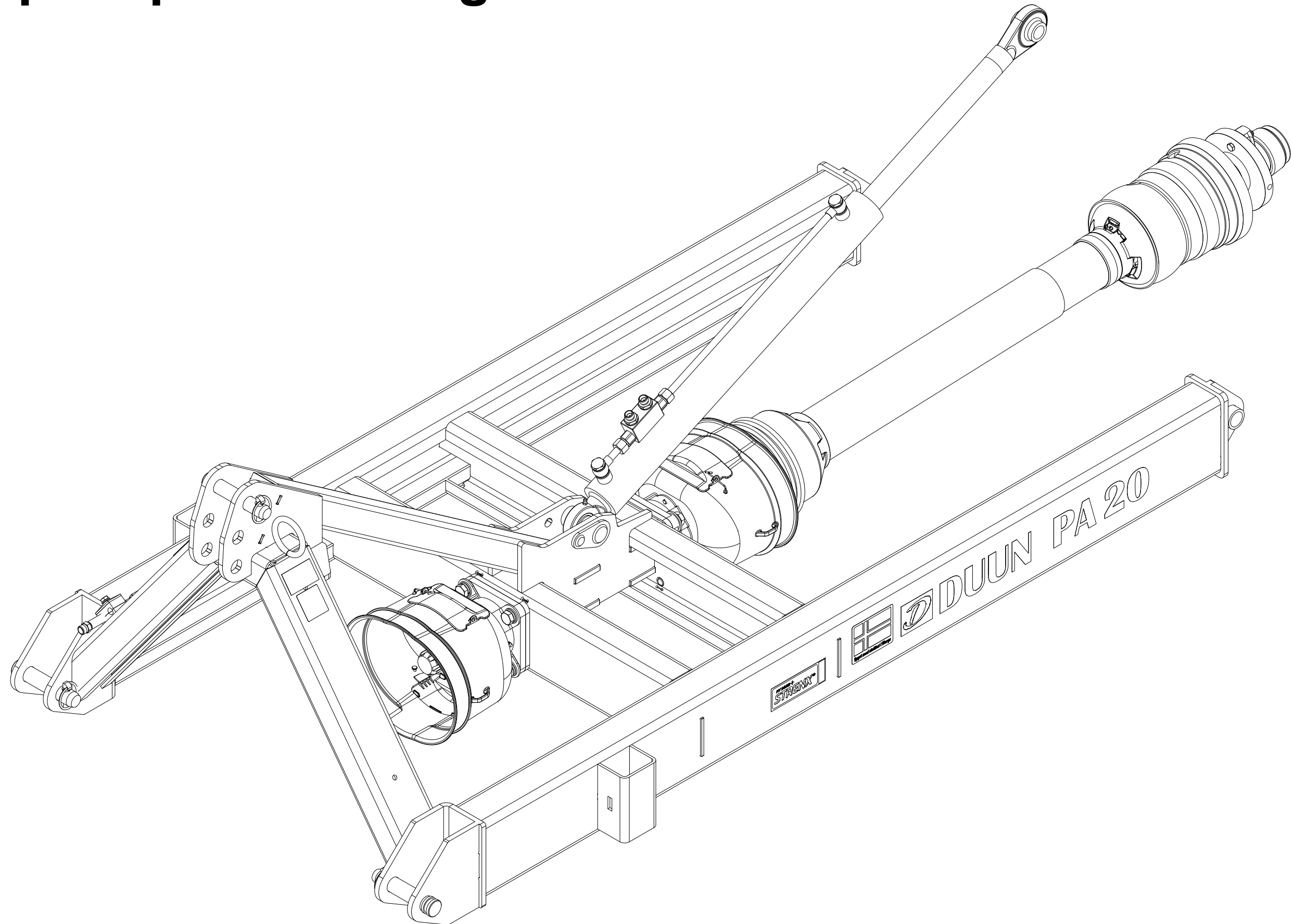
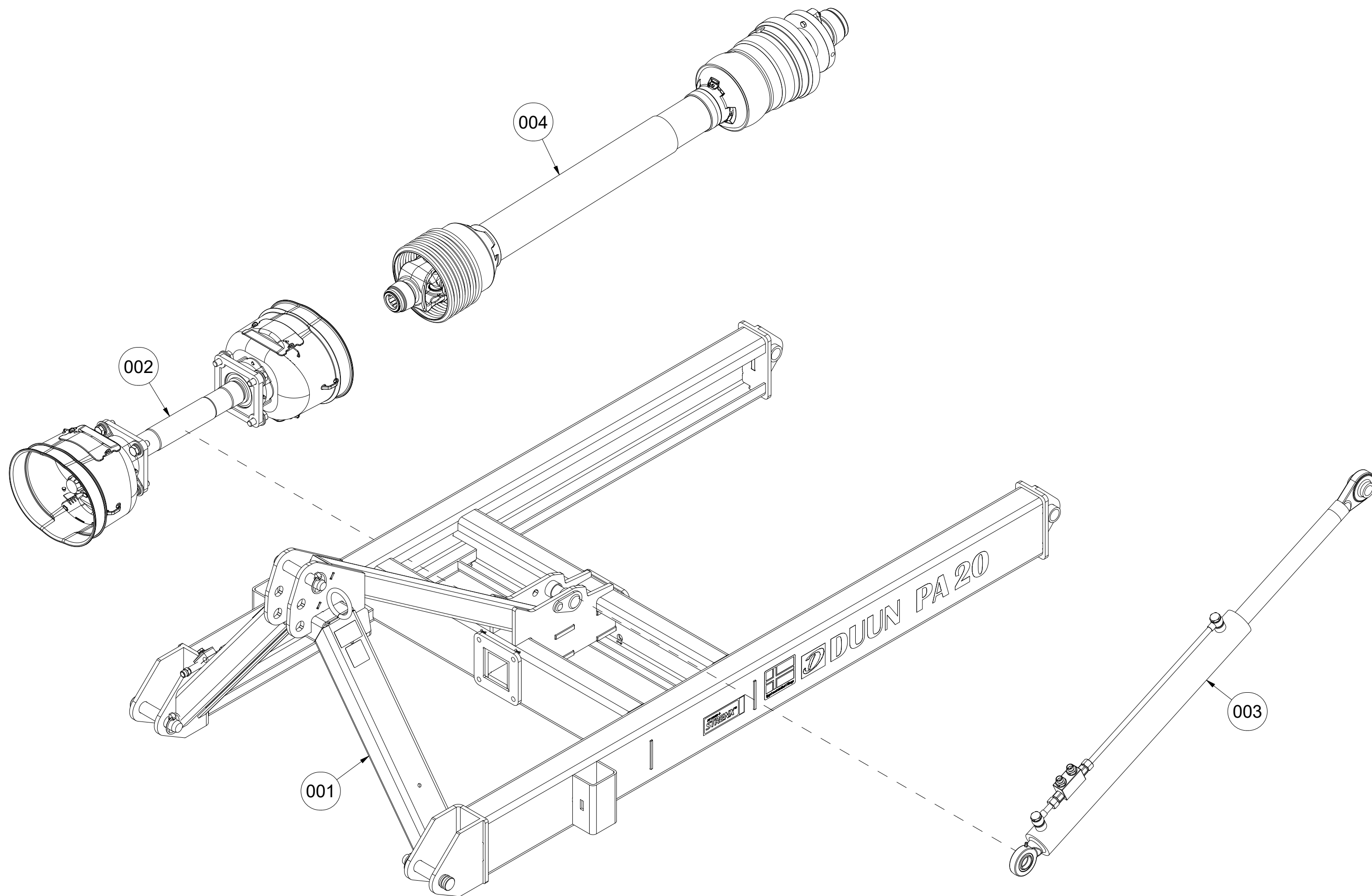




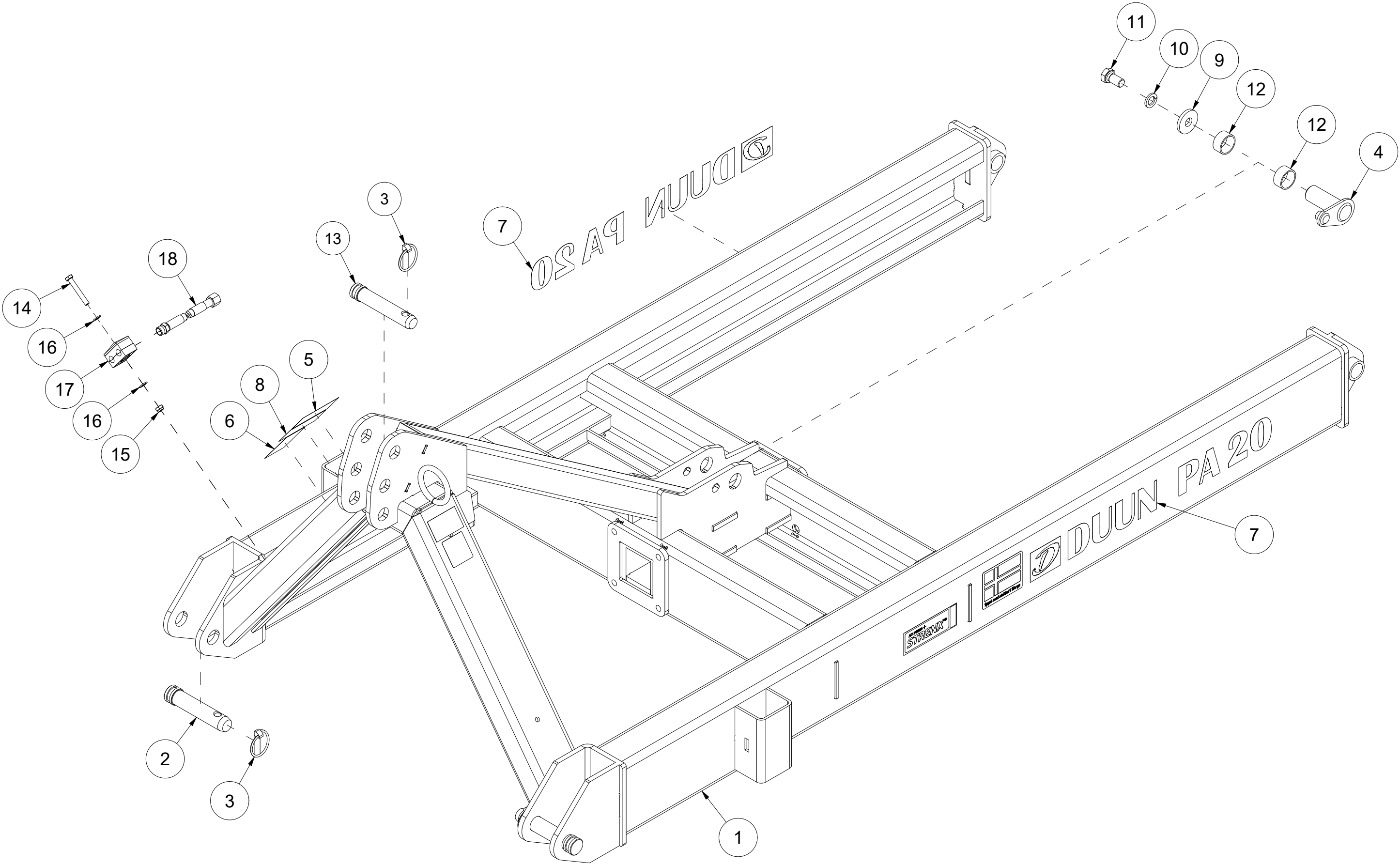
# PA20 Spare parts catalogue

Duun Industrier as  
7630 Åsen, Norway  
[www.duun.no](http://www.duun.no)



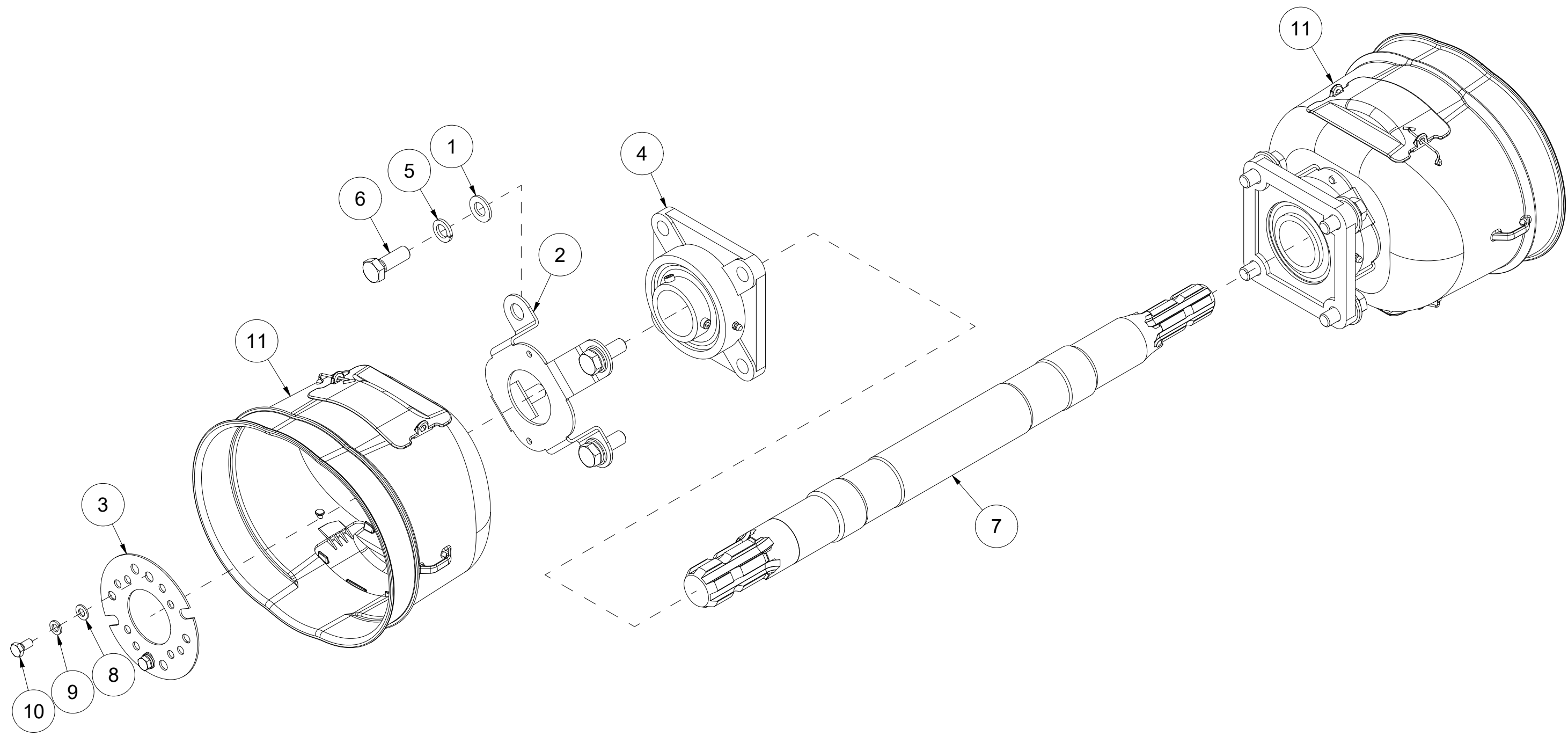


# 001 Tractor attachment PA20



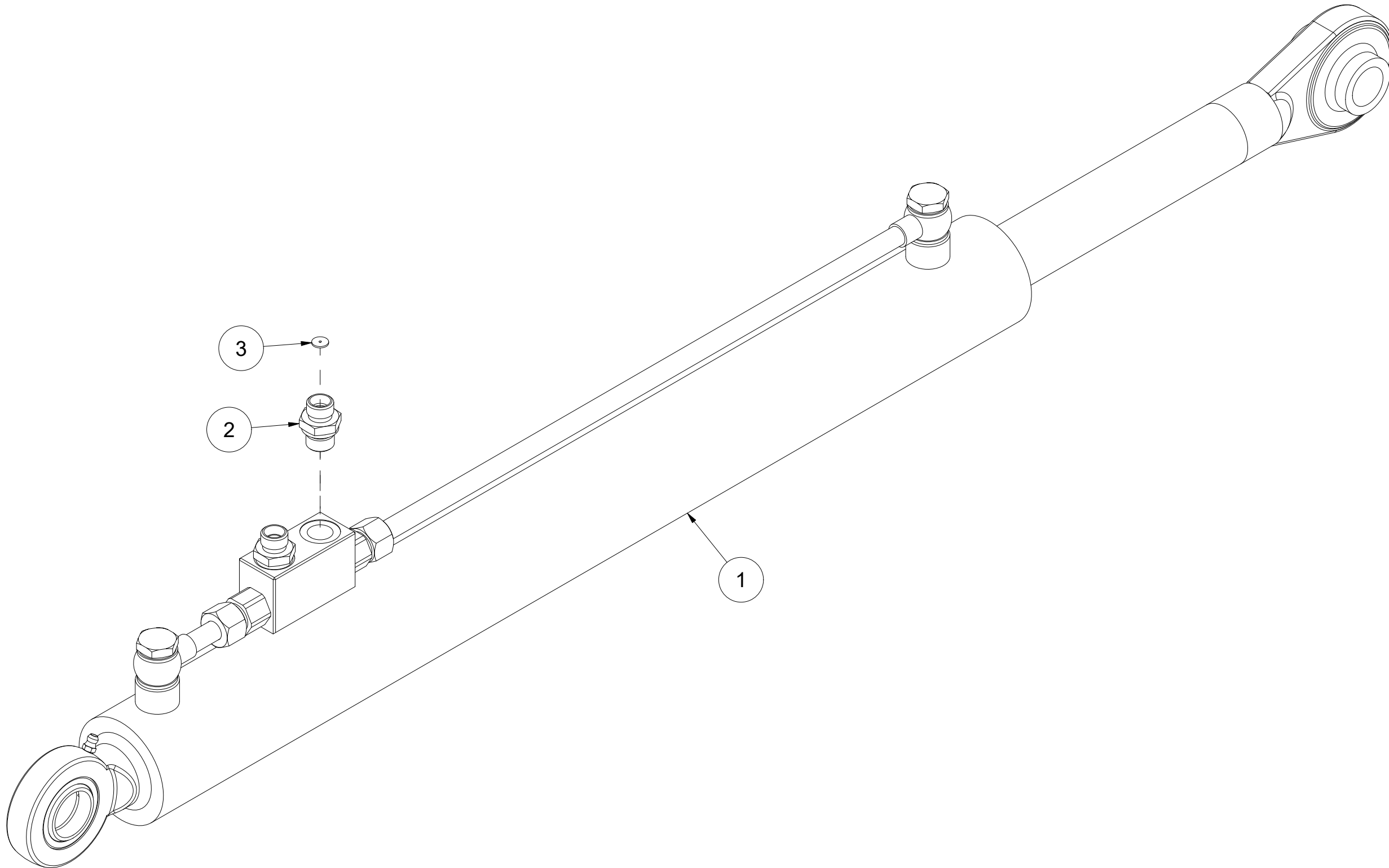
Pos	Qty	Article no	Designation
1	1	32211001	Tractor attachment PA20
2	2	2551730	Drawbar bolt cat. 2 Ø28x95
3	3	2556142	Linch pin Ø10x40
4	1	32211004	Bolt Ø30
5	1	2935064	Adhesive label 90x48 Instruction manual
6	1	2935069	Adhesive label 90x48 Crush hazard
7	2	2935152	Adhesive label PA20
8	1	2935171	Adhesive label - Power transmission shaft
9	1	33101037	Washer Ø17/46x6
10	1	2534078	Spring washer M16 EIZn DIN 127
11	1	2422485	Hexagon screw M16x30 EIZn 8.8 DIN 933
12	2	32211007	Sleeve Ø33/38x18
13	1	2526326	Top strut bolt cat. 2 Ø25,4x103
14	1	2422258	Hexagon screw M8x55 EIZn 8.8 DIN 931
15	1	2483609	Locking nut M8 EIZn DIN 985
16	2	2531047	Washer M8 EIZn DIN 125
17	1	4251205	Hose holder
18	1	2958399	Hydraulic hose 1/4" L3000

# 002 Shaft PA20



Pos	Qty.	Article no.	Designation
1	8	2531072	Washer M14 EIZn DIN 125
2	2	32201043	Bracket
3	2	31231079	Attachment plate for safety funnel
4	2	2954175	Flange bearing UCF 210 50mm
5	8	2534072	Spring washer M14 EIZn DIN 127
6	8	2422398	Hexagon screw M14x40 EIZn 8.8 DIN 933
7	1	32211003	Shaft Ø50
8	4	2531047	Washer M8 EIZn DIN 125
9	4	2534047	Spring washer M8 EIZn DIN 127
10	4	2422240	Hexagon screw M8x16 EIZn 8.8 DIN 933
11	2	32101055	Protective funnel with hole 2xØ10_Ø105

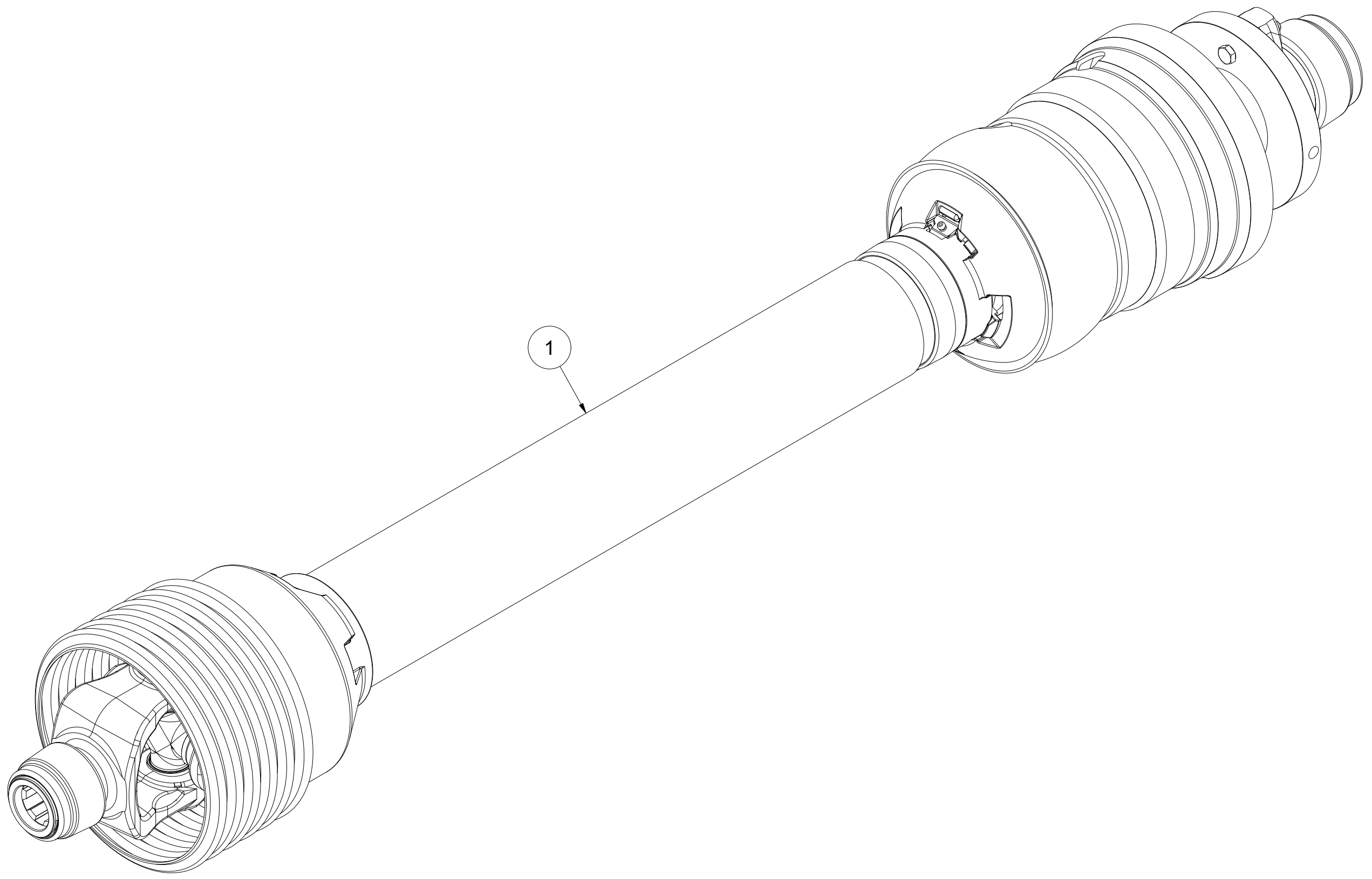
003 Cylinder PA20



Pos	Qty	Article no	Designation
1	1	2955379	Cylinder Ø60/40 SL600
2	2	2957759	Hexagon nipple GEK BSP 3/8" L10 ED
3	2	32211008	Nozzle Ø1,5/10x1



# 004 Power transmission shaft PA20



Pos	Qty	Article no	Designation
1	1	2962163	Power transmission shaft wide-angle implement 3/4" L1010